

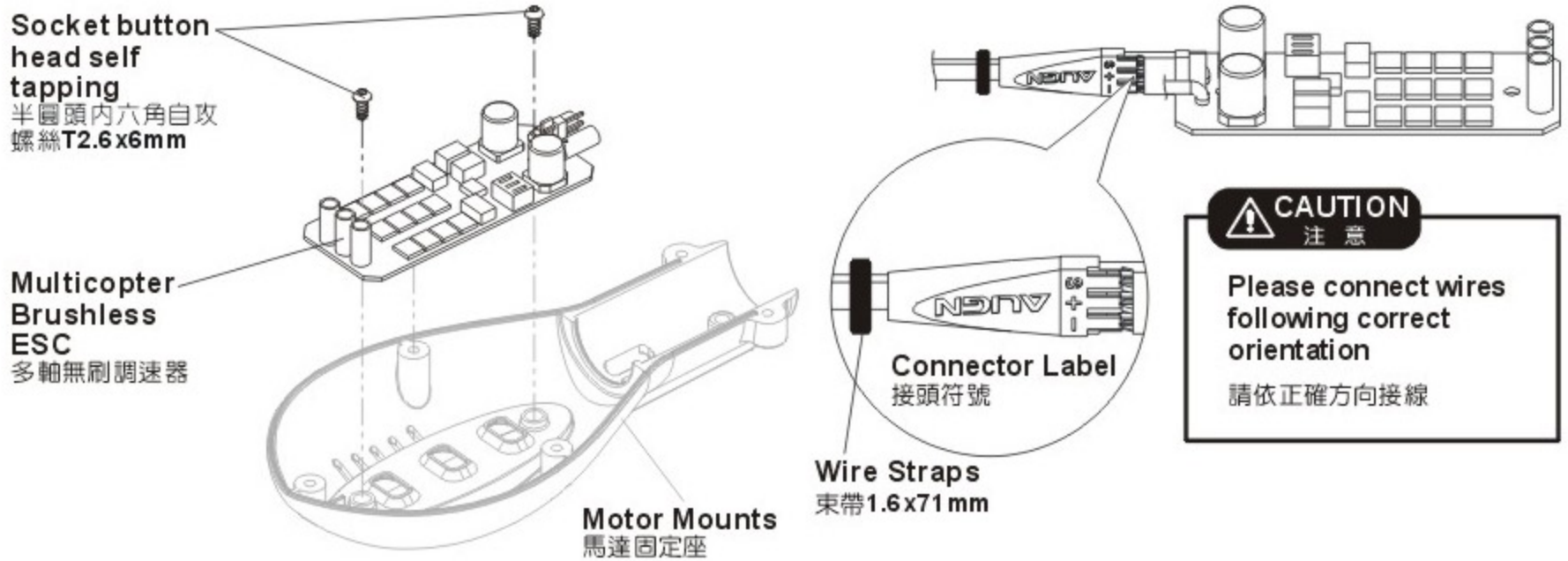
ASSEMBLY SECTION 組裝說明

STEP 1.

Insert signal wire onto pins at the back of ESC. S label needs to face up. Use a wire strap to tie the signal and power wires together.

步驟.1

訊號線插入電變後方插針上，S符號需朝上，並於線套根部綁上束帶，將電源線與訊號線束緊。

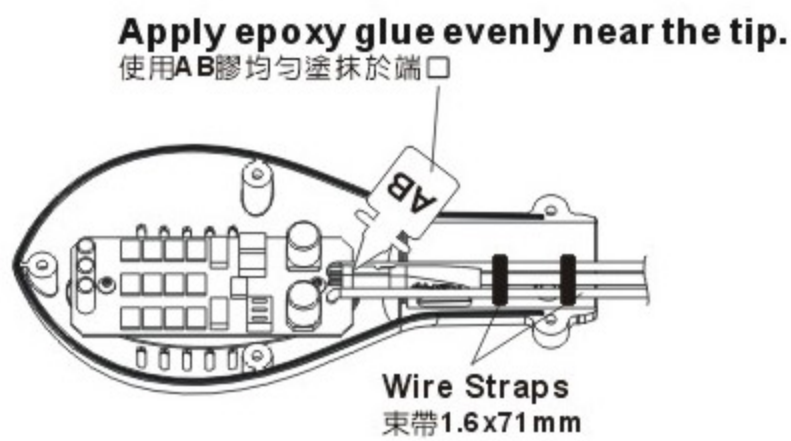


STEP 2.

Apply epoxy glue evenly on the plug and pins near the circuit board. Ensure wires are properly secured.

步驟.2

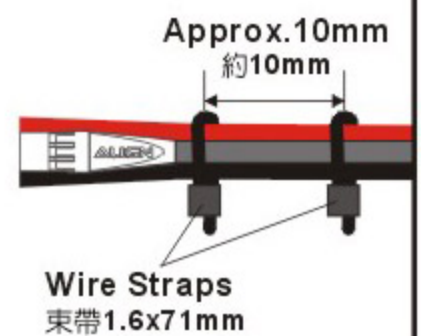
使用AB膠均勻塗抹於杜邦接頭與電路板插PIN端，並確認線材固定緊實無鬆動。



CAUTION 注意

Use a wire strap to tie the signal and power wires together. Approximate distance between two wire straps are 10mm.

將電源線與訊號線使用束帶束緊，兩條束帶前後間距約為10mm。

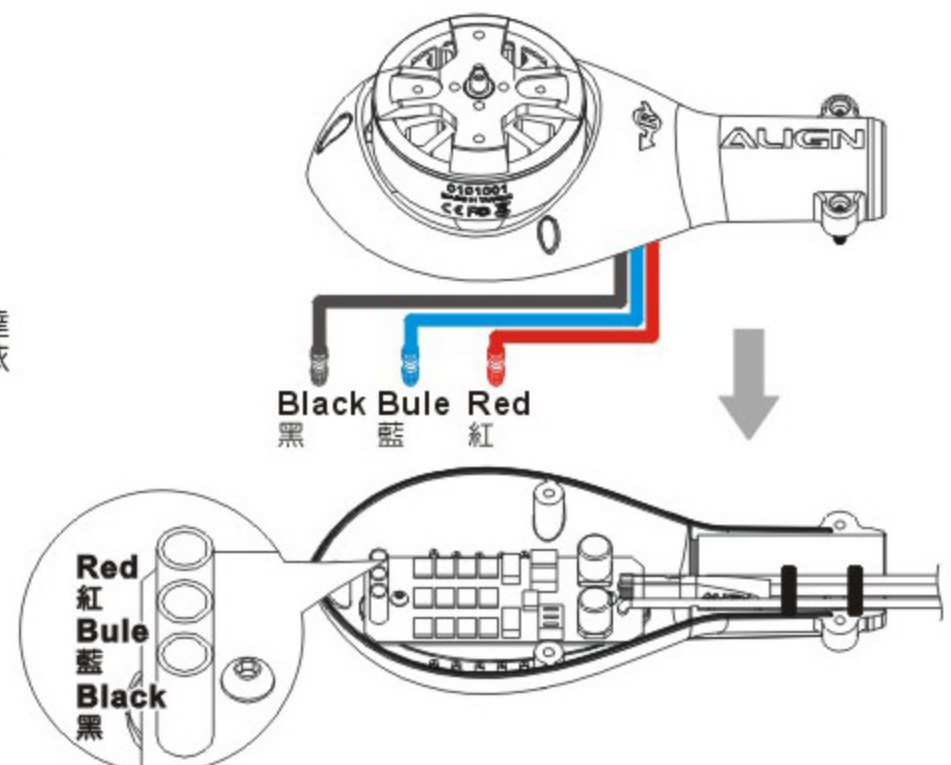


STEP 3.

After epoxy glue has dried, gently tug the plug to ensure it's secured. Then point the motor power wires toward back and place in the motor mount. Insert the plugs into ESC following the colors of the plugs.

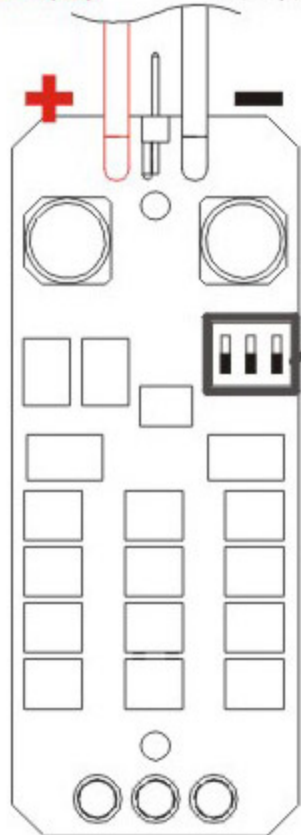
步驟.3

待膠乾後，試拉線材杜邦接頭不可脫落，確認後將馬達電源線朝向後方並置入馬達固定座上，將馬達電源線依照電變接頭顏色的相對位置插入。

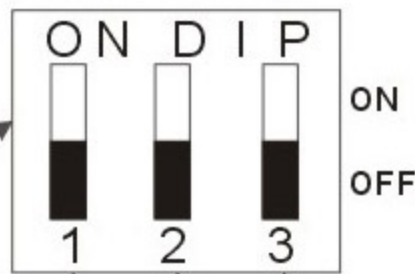


SWITCH FUNCTIONS 開關功能切換說明

Positive (red) 正極(紅)
Negative (black) 負極(黑)



Switch bottom up to turn on and top down to turn off.
開關由上切為開，往下切為關。



CAUTION 注意

Check the motor rotation and main rotors/propellers direction is matched and correct, to prevent any unforeseen danger may happen.

馬達旋轉方向設定需與主旋翼/螺旋槳方向一致，避免造成不可預期之危險。

SW1: Motor Rotation Direction

ON: Clockwise rotation ; OFF: Counter clockwise rotation

開關1：馬達順逆轉方向
開：順時鐘旋轉；關：逆時鐘旋轉

SW2: Color of LED

ON: White ; OFF: Red

開關2：燈號顏色
開：白色；關：紅色

SW3: Flight Mode Status LED

ON: PWM Controlled ; OFF: Constant Lit

開關3：飛行指示燈燈號模式
開：PWM控制；關：恆亮

SPECIFICATION 尺寸規格

Input Voltage 輸入電壓	13.2V~25.2V(4S~6S Li-Po)
Max Continuous Current 最大持續耐電流	40A
Dimension 尺寸	74.2x27x12.7mm

MOTOR ROTATION AND LED INDICATOR CHART 馬達轉向及燈號模式切換對照表

Multicopter brushless ESC switches. Please refer to factory settings. LED color can be adjusted based on user preference.

多軸無刷調速器開關切換，請參考原廠預設值設定。燈號顏色可依玩家個人喜好調整。

M480L Multicopter factory preset values

M480L四軸飛行機原廠預設值

Motor 馬達	Direction of rotation 旋轉方向	Lights 燈號	SW1 / 2 / 3
M1	Counter clockwise 逆時鐘	Red紅	
M2	Clockwise 順時鐘	White白	
M3	Counter clockwise 逆時鐘	White白	
M4	Clockwise 順時鐘	Red紅	

M690L Multicopter factory preset values

M690L六軸飛行機原廠預設值

Motor 馬達	Direction of rotation 旋轉方向	Lights 燈號	SW1 / 2 / 3
M1	Counter clockwise 逆時鐘	Red紅	
M2	Clockwise 順時鐘	White白	
M3	Counter clockwise 逆時鐘	White白	
M4	Clockwise 順時鐘	White白	
M5	Counter clockwise 逆時鐘	White白	
M6	Clockwise 順時鐘	Red紅	