

AG-200 FPV GOGGLE

AG-200 FPV視頻眼鏡

INSTRUCTION MANUAL

使用說明書

(HEMFPV02AT)

ALIGN



Thank you for purchasing of Align products. Please read the manual carefully before installing and be sure to retain the manual for future reference.

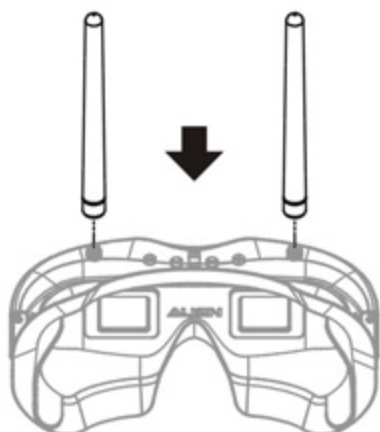
承蒙閣下選用亞拓遙控世界系列產品，謹表謝意。使用前請仔細閱讀，並妥善保管本說明書，以作為日後參考。

ASSEMBLY 組裝說明

Step.1 步驟.1

Install Antenna

安裝天線

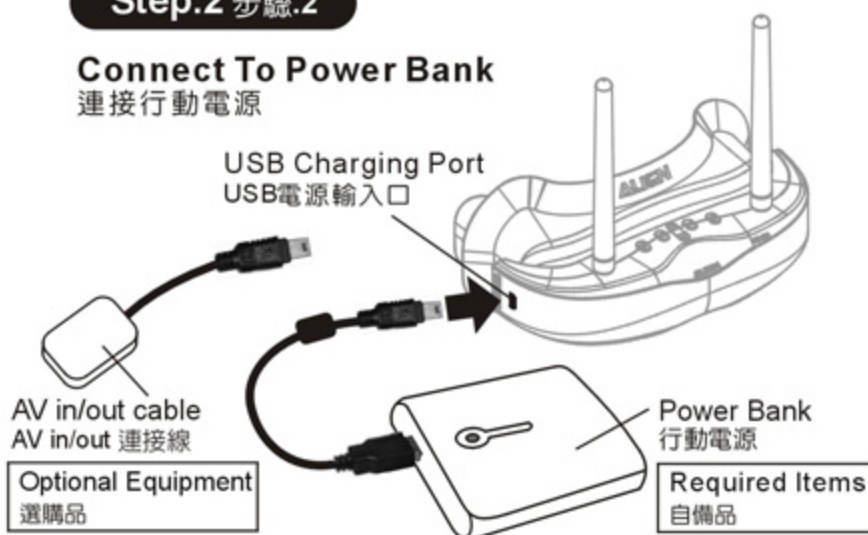


Install Antenna Can be installed with RP-SMA directional or omni antenna.
安裝與PR-SMA配套的定向或全向天線。

Step.2 步驟.2

Connect To Power Bank

連接行動電源



Power Supply: Power Bank
Power Output: DC 5.0V/2A
Capacity: more than 2,000mAh

電池使用：行動電源
電源輸出：DC5.0V/2A
建議容量：2,000mAh以上

Connect the USB cable to the power bank and FPV goggle charging port.

將行動電源的充電端接上USB線，連接到FPV視頻眼鏡。

FEATURES 功能介紹



Power
電源



Menu
目錄選單



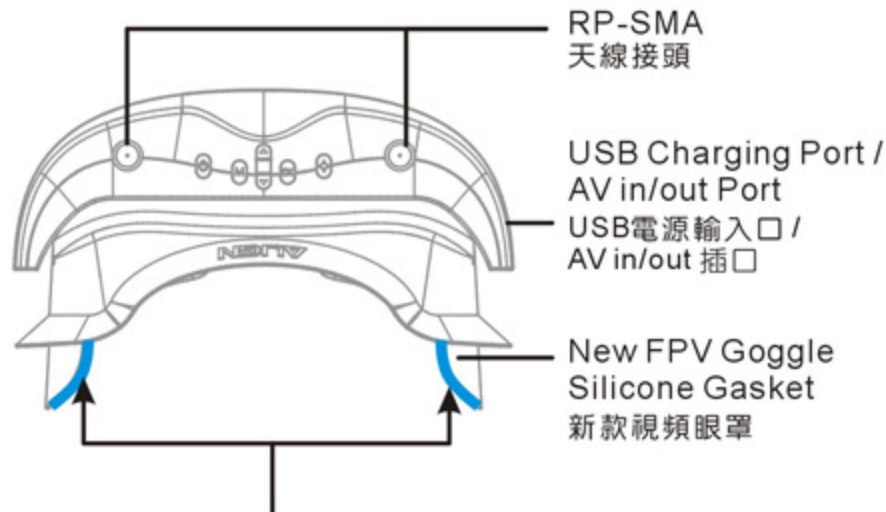
Menu Setting
選單設定



Video Switching
視頻切換



Auto Search
自動搜頻

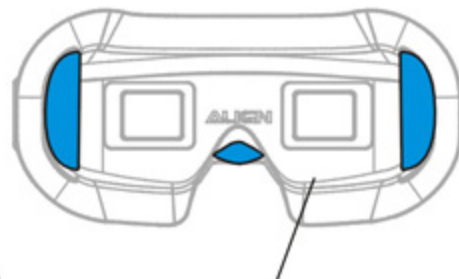


FPV Goggle Silicone Foam Tape Adhesive Location

視頻眼鏡泡棉黏貼位置



FPV Goggle Silicone
Foam Tape
視頻眼鏡泡棉



AG-200 FPV Goggle
AG-200 FPV 視頻眼鏡

Placing the given foam in the blue spaces as indicated in the picture on the left (adjust when needed) can efficiently prevent your goggle from fogging up, light leaking and increase comfort.

建議將隨附的視頻眼鏡泡棉依個人喜好黏貼至左方圖示位置中，能有效防止眼鏡霧氣及漏光，戴起來更加舒適服貼。

OPERATION INTRODUCTION 操作說明

1. Power On / Off :

When finishing the steps above, short press power button, the screen light on, then power on; Long press power button above 3sec., the screen extinguishes, then power off.

電源開關：

輕按開關，螢幕亮起完成開機；長按開關3秒，螢幕關閉即關機。

2. Searching Frequency :

a. When power on, receiving images by auto search or manually set frequency. Auto.

Search: long press "OK" button, the system starts to search frequency automatically, and then it will hint "save the channel or not" after finding the frequency.

b. Short press "M" button to save it. Long press "OK" button again, the system starts to search frequency again.

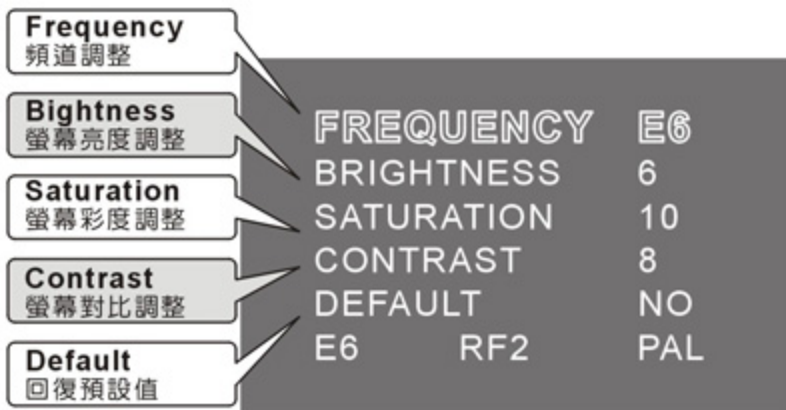
自動搜頻：

a. 長按OK鍵，系統自動搜尋頻道；當收到頻道後，系統會提示"是否保存頻道"。

b. 輕按M鍵可儲存頻道，長按OK鍵則繼續搜頻。

3. Menu Settings : Long press "M" button to enter into Menu setting, short press "OK" button to confirm modify or not; Short press "up" and "down" button to choose which need to modify, press "OK" button to confirm; long press "M" button to exit.

目錄選單：長按3秒彈出設置目錄選單或退出目錄選單，輕按OK鍵確認是否修改，選擇上下鍵調整需要的內容，按OK鍵。



4. Video Switching :

- Short press upward button, the system will switch between two receivers and AV in, cycling in R1-R2-AV in
- Click downward button, choose to switch receiver automatically (meanwhile the system will choose the receiver with best signal) or switch receiver manually.

視頻切換：

- 短按OK鍵，系統會在兩個接收機和AV IN間切換，R1-R2-AV IN迴圈
- 長按OK鍵，可以選擇自動切換接收機（系統會選擇接收信號最好的接收器）或手動切換接收器。



When the signal is weak, auto search cannot search the frequency accurately, so recommending to switch to manual search.

在信號較弱時，自動搜頻可能會無法準確搜索到頻道，建議進行手動搜頻。

SPECIFICATION & EQUIPMENT 規格配備

AG-200 FPV Goggle AG-200視頻眼鏡

Dimension 尺寸	172mmX88mmX60mm	Weight 重量	approx. 142g
-----------------	-----------------	--------------	--------------

Display 顯示器

Resolution 解析度	854*480 (WVGA)
Lightness 亮度	Adjustable 可調
Contrast 對比度	Adjustable 可調
Saturation 飽和度	Adjustable 可調
View Angle 可視角度	30° (Horizontal) 30度 (水平)

Receiver 接收器

Antenna Port 天線端口	RP-SMA
Frequency 頻道	5.8G Dual diversity input, 32channel can be chosen, auto switch to the best signal channel 2路5.8G輸入，共32頻可選；自動切 換到信號較好之頻道
Auto Search 自動搜頻	Yes 支援

ALIGN

This product complies with low-power radio wave radiation of the provisions of motor management :

- Article 12: Without permission granted by the DGT, any company, enterprise, or user is not allowed to change frequency, enhance transmitting power or alter original characteristic as well as performance to a approved low power radio-frequency devices.
- Article 14: The low power radio-frequency devices shall not influence aircraft security and interfere legal communications; If found, the user shall cease operating immediately until no interference is achieved.
- The said legal communications means radio communications is operated in compliance with the Telecommunications Act. The low power radio-frequency devices must be susceptible with the interference from legal communications or ISM radio wave radiated devices.

本產品符合低功率電波輻射性電機管理辦法：

- 第十二條：經型式認證合格之低功率射頻電機，非經許可，公司、商號或使用者均不得擅自變更頻率、加大功率或變更原設計之特性及功能。
- 第十四條：低功率射頻電機之使用不得影響飛航安全及干擾合法通信；經發現有干擾現象時，應立即停用，並改善至無干擾時方得繼續使用。
- 前項合法通信，指依電信規定作業之無線電信。低功率射頻電機須忍受合法通信或工業、科學及醫療用電波輻射性電機設備之干擾。