

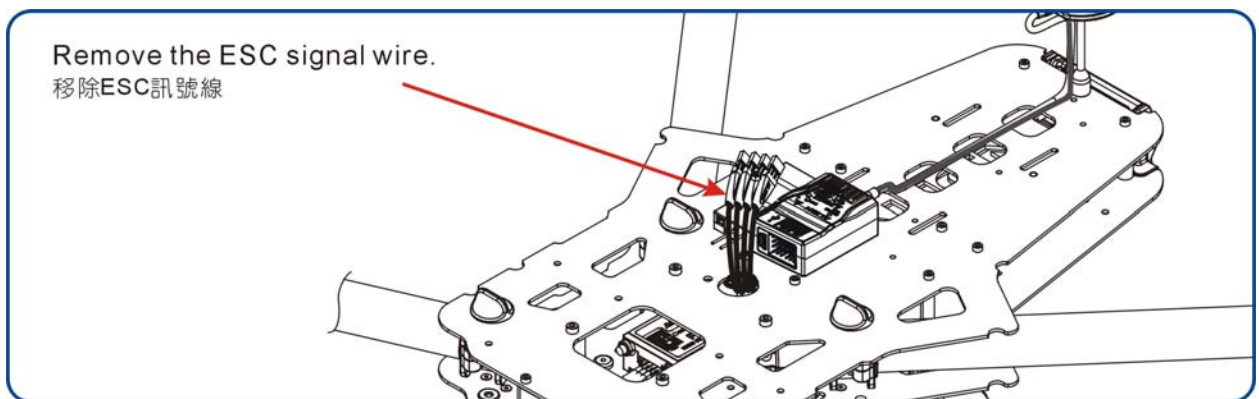
# APS-M Firmware Update Instruction

## APS-M 主程式升級使用說明

**Before updating the firmware, please remove the ESC signal wire to ensure yourself and aircraft safety.**

更新程式前，請務必先移除 **ESC** 訊號線，以確保本身及機體安全。

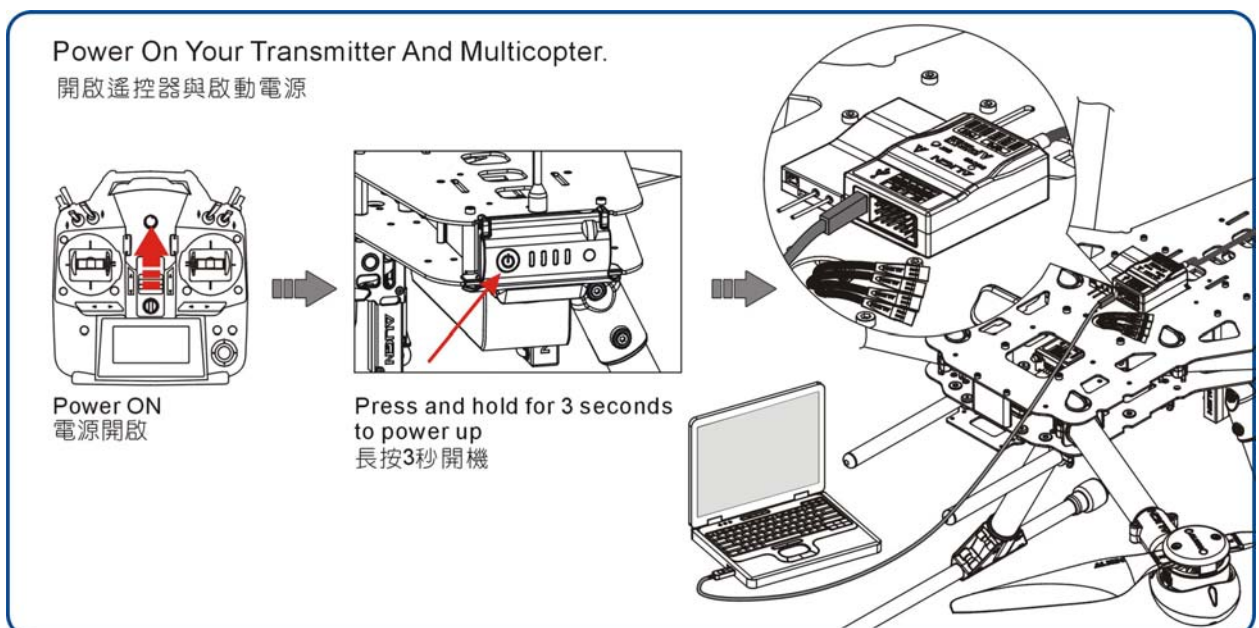
After the upgrade has been completed, please insert all ESC signal wires back in the correct sequence. In addition, please perform APS-M setup procedure and radio stick calibration again. 更新完成後，請將所有 ESC 訊號線依序插回去，並請重新設定您的 APS-M 及遙控器搖桿行程校正。



### APS-M Firmware Update Procedure.

#### APS-M 主程式更新步驟.

1. Please follow connect PC with APS-M as shown in illustration, click "Update" and power on.  
請依圖示完成電腦與 APS-M 的連線，並開啟電源。



2. Open update file  
開啟更新程式

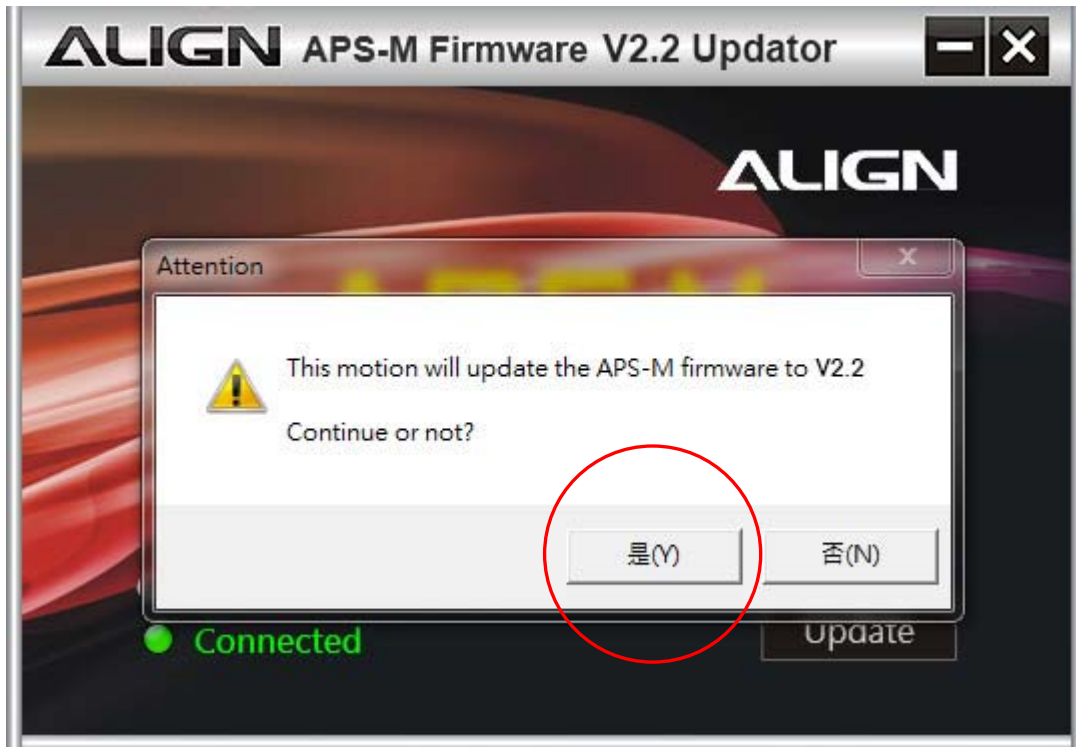


3. Click "Update" to continue the process.  
出現更新頁面，按"Update"鍵進行更新



4. Software update reminder, click "Yes" to continue the process.

程式升級提醒，選擇“是”，繼續更新動作。



5. Software updating.....

程式升級中.....



6. Software update finished  
程式升級完成



7. After the upgrade has been completed, please insert all ESC signal wires back in the correct sequence. In addition, **please perform APS-M setup procedure and radio stick calibration again.**

更新完成後，請將所有 ESC 訊號線依序插回去，**並請重新設定您的 APS-M 及遙控器搖桿行程校正。**

